

Technical data sheet for

VEE RAY TWIN PAN GAS FRYER 450mm

GT46

- Twin pan fryer flexibility – full single pan performance
- Patented infra-red burner system
- High performance fast recovery
- Easy clean stainless steel open pan with 10 year limited warranty
- 13L oil capacity per pan
- Large capacity cool zones
- 32mm (1 1/4") drain valves
- Rear rollers
- Stainless steel exterior
- Easy service
- Fully modular



GT46

Overall Construction

- Stainless steel pan with 10 year limited warranty
- Bull nose welded 1.5mm stainless steel
- Splashback 1.2mm stainless steel
- Side panels 1.2mm stainless steel
- Double skin door with 0.9mm stainless exterior
- Enamelled front panel
- 32mm (1 1/4") drain valve per pan
- 63mm dia. heavy-duty 1.2mm stainless steel adjustable legs at front and two rollers at rear
- 2 baskets and stainless steel lid supplied standard

Controls

- Direct action thermostats react to + or - 1.0°C
- Thermostat range 145 – 195°C
- Over-temperature safety cut-outs
- Millivolt gas valve system (no electrical supply)
- Flame failure protection on each pilot
- Piezo ignition to standing pilot burners

Cleaning and Servicing

- Open stainless steel pans for easy clean
- Easy clean basket support bar
- 32mm (1 1/4") drain valves for effective draining
- Easy clean stainless steel exterior
- Access to all parts from front of unit

Technical data sheet for VEE RAY TWIN PAN GAS FRYER 450mm

Specifications

Production rate
31kg/hr

Pan Size

Oil capacity 13L (24lbs shortening) per pan
Width 175mm
Length 380mm
Oil frying depth 95mm

Baskets

2 chrome plated wire baskets
140mm W x 335mm D x 145mm H
Stainless steel perforated basket support plates

Burners

1 x 12.5kW infra-red burner per pan

Gas power (gross)

25kW, 85,300 Btu/hr

Gas connection

R 3/4 (BSP) male
Optional underside connection
(refer specification drawing)

Dimensions

Width 450mm
Depth 812mm
Height 915mm
Incl. splashback 1085mm

Nett weight

88kg

Packing data

0.54m³, 129kg
Width 870mm
Depth 495mm
Height 1255mm

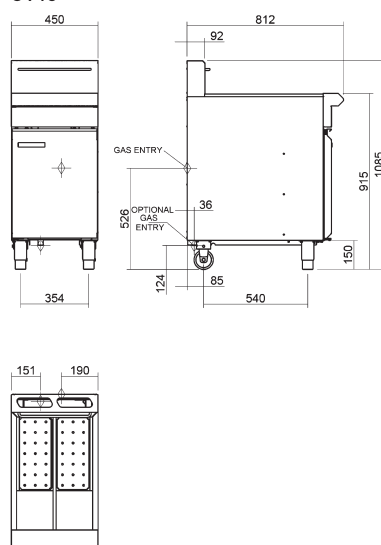
Gas types

Available in Natural gas and LP gas, please specify when ordering
Units supplied complete with gas type conversion kits

Options

Adjustable feet at rear
Filtamax Filtration System
Fish plates
Extra baskets
Side splash guards
Joining caps
Castors

GT46



BLUE SEAL

www.blue-seal.co.uk
www.bluesealevolution.com

United Kingdom

Blue Seal Limited

Unit 67
Gravelly Business Park
Gravelly
Birmingham B24 8TQ
England

Telephone 0121-327 5575

Facsimile 0121-327 9711

Email sales@blue-seal.co.uk

www.blue-seal.co.uk

Australia

Moffat Pty Limited

740 Springvale Rd
Mulgrave
Victoria 3170
Australia

Telephone 03-9518 3888

Facsimile 03-9518 3833

Email vsales@moffat.com.au

www.moffat.com.au

New Zealand

Moffat Limited

16 Osborne St
PO Box 10-001
Christchurch 8011
New Zealand

Telephone 03-389 1007

Facsimile 03-389 1276

Email sales@moffat.co.nz

www.moffat.co.nz



ISO9001
Quality
Management
Standard

Designed and manufactured by

MOFFAT

ISO9001

All Blue Seal products are designed and manufactured by Moffat using the internationally recognised ISO9001 quality management system, covering design, manufacture and final inspection, ensuring consistent high quality at all times.

CE

In line with policy to continually develop and improve its products, Moffat Limited reserves the right to change specifications and design without notice.

BLUE SEAL EVOLUTION SERIES

VEERAY

Printed in China
© Copyright Moffat Ltd
Moffat/5992/BH/2.5M/09.07

